

Compliance Made Easy

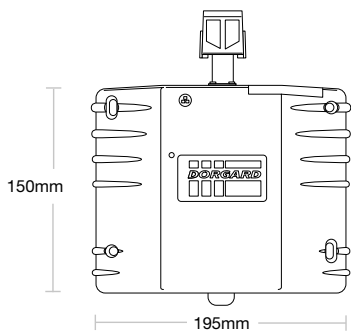
# Dorgard™

Dorgard is a wireless fire door retainer which allows you to keep your fire doors open.

Dorgard enables the door to automatically close on the sound of the alarm. A closed fire door prevents the spread of fire.



## Product Dimensions



Overall Height	205 mm
Casing Height	150 mm
Width	195 mm
Depth	45 mm
Weight	700 g

## Specification Overview

Power	2 x 1.5v C-size batteries
Expected battery life	2 years
Colour	Black, red and white
Activation	Acoustic / Sound of the fire alarm
Casing	ABS plastic
Hold open positions	Any angle
Maximum door size	Power size 7 (maximum weight 160 kg, 1600 mm width)

Contact our team for more information

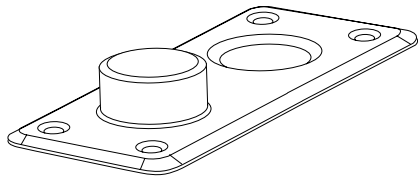
Call: 01273 320650  
Email: [contact@fireco.uk](mailto:contact@fireco.uk)  
Web: [www.fireco.uk](http://www.fireco.uk)

Audible warning	Yes
Fire rating	60 minutes
Compliant to	EN 1155
Suitable for	Standard (category B) installations under BS7273-4 2015
Installation position	Bottom of door
Part Number	<b>478-5513</b> Dorgard Black <b>338-7715</b> Dorgard White <b>286-7462</b> Dorgard Red

## Additional Extras

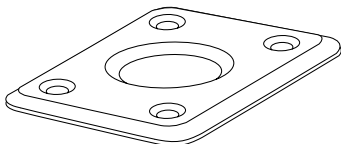
- Supplied with every Dorgard
- Designed for use in areas with slippery floors

### Bump Stop Floor Plate



Weight	62.2 g
Length	150 mm
Width	77.5 mm
Bump Stop Height	27 mm
Height	3.5 mm
Part Number	DG2610

### Flush Floor Plate



Weight	19.4 g
Length	77.5 mm
Width	63.5 mm
Height	3.5 mm
Part Number	DG2612