

SECUREFOLD PRO

HENDERSON

DATA SHEET



Securefold Pro is the ultimate external folding door hardware to help you effortlessly open up your home to the outside world. Catering for doors weighing up to 100kg, the system has been designed with R Loc - a clever ratchet system which enables installers to easily raise and lower a door.

New features of the system include lateral adjustment to the pivot location, with a simple turn of a socket head screw and Universal End Hangers to allow for both left and right-hand applications as standard.

With all components made from marine grade 316 stainless steel, the system is extremely corrosion resistant. Additionally, hinges are passivated and lubricant free.

The system comes in a range of stunning finishes including satin, chrome, black and gold meaning it can complement virtually any colour scheme.

Securefold Pro Kit Variations Include: (Depending on application)

- Kit 1 - Pivot Assembly
- Kit 2 - End Hanger
- Kit 3 - Hinge Handle Set (Outward)
- Kit 4 - Intermediate Hanger Assembly
- Kit 5 - Hinge Set (Inward)
- Kit 6 - Hinge Set Offset (Inward)
- Kit 7 - Hinge Handle Offset (Outward)
- Kit 8 - End Hangers for Meeting Doors
- Kit 9 - Intermediate Pivot Hinge
- Kit 10 - Handle

You will also need:

- 250 Track (various lengths)
- Flushbolts (locking and/or non-locking)

Your Standard kit can be enhanced with:

- Threshold (SF94T)
- Support Channel (94SC)
- Polypropylene Insert (94P)
- Seals (AQ21B, AQ63B, BS10B)
- Twinbolt Locking System



Product Information


| Product | Max. Door Height | Max. Door Width | Door Thickness Range* |  |
|----------------|------------------|-----------------|-----------------------|---------------------------------------------------------------------------------------|
| Securefold Pro | 3300mm | 1000mm | 35-68mm | 100kg |



Diagram 1

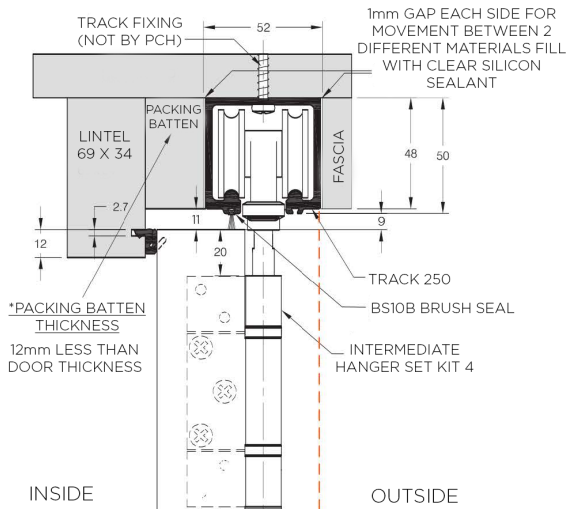


Diagram 2

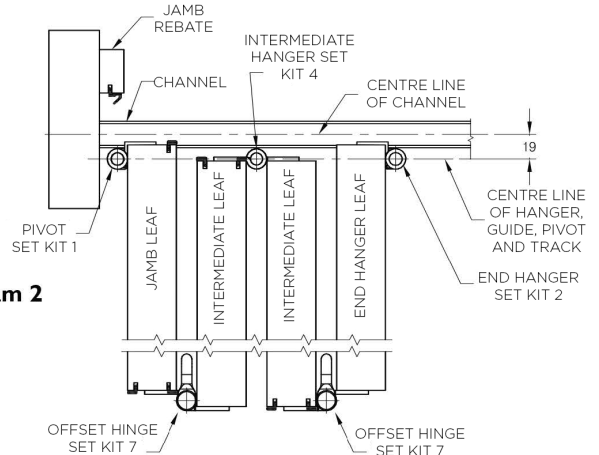


Diagram 3

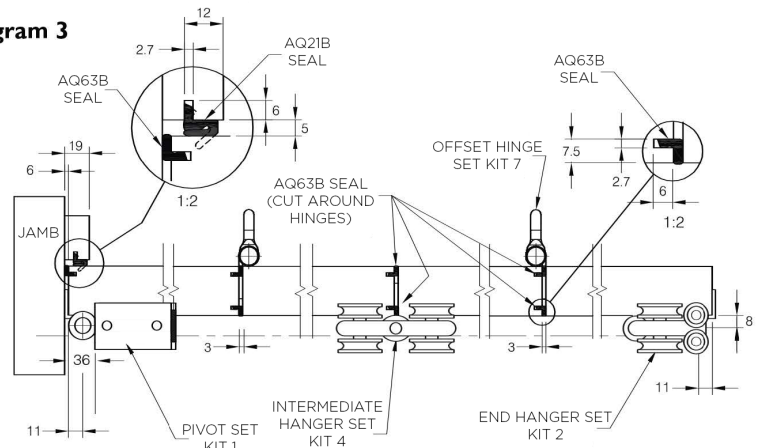
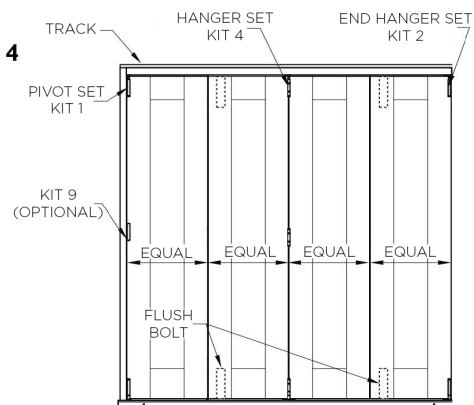
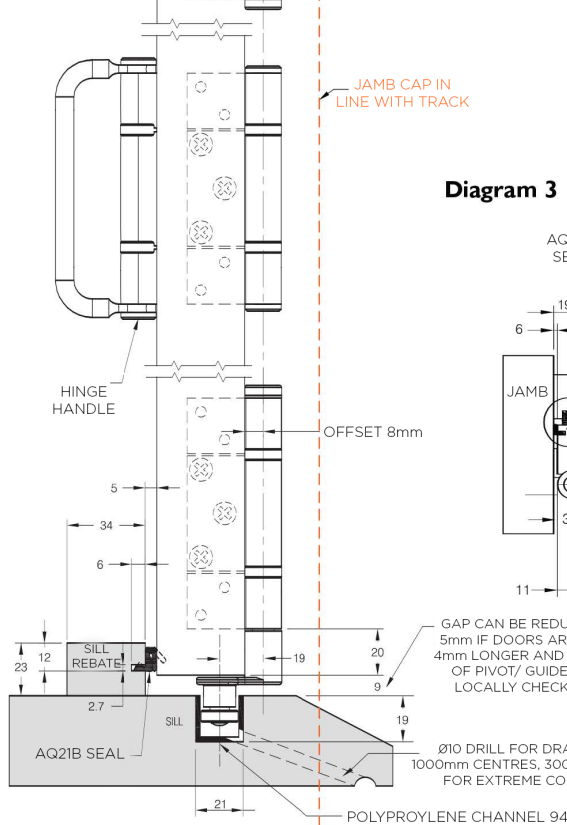


Diagram 4

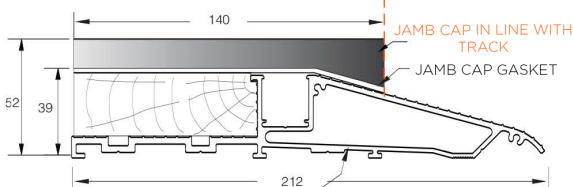


TYPICAL OUTSIDE ELEVATION



GAP CAN BE REDUCED 50 5mm IF DOORS ARE MADE 4mm LONGER AND BOTTOM OF PIVOT/ GUIDES ARE LOCALLY CHECKED IN

Ø10 DRILL FOR DRAINAGE AT 1000mm CENTRES, 300mm CENTRES FOR EXTREME CONDITIONS



ALTERNATIVE ALUMINIUM THRESHOLD SF94T SUPPLIED BY PCH - COMES COMPLETE WITH 94P AND ENDCAPS AND IS PREDRILLED FOR DRAINAGE. REFER TO PAGE 11.