

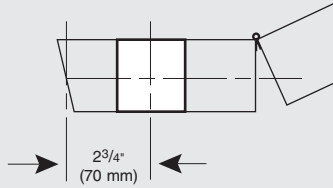
**REFERENCE ONLY, NOT TO SCALE**  
**DO NOT USE AS A DRILLING TEMPLATE**  
**CALL 800-849-8324**



Kaba Access Control  
 www.kabaaccess.com  
 Tel: 800.849.8324

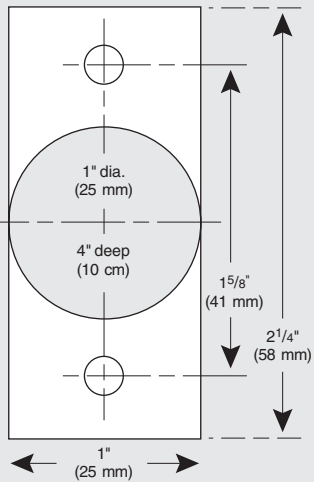
**CAUTION**

Apply template and drill from the outside but compensate for door bevel if any



**NOTE:** Lock will accommodate doors 1 3/8" (35 mm) to 2 1/4" (57 mm) thick. Suitable reinforcement shall be provided by the hollow metal door manufacturer to prevent collapsing of door. When door silencers are to be installed, proper allowances must be made for strike location.

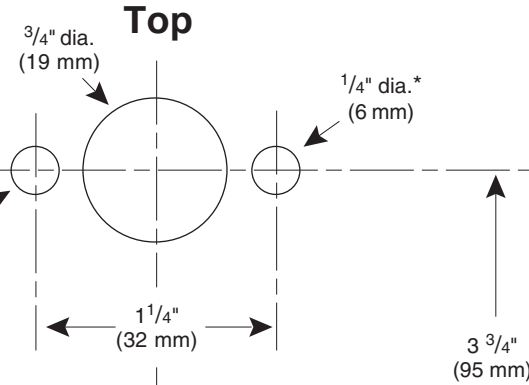
**Latch cutout**



**7104 TEMPLATE**  
**2 3/4" (70 mm)**  
**BACKSET RIGHT HAND DOOR**

THIS FLAP FOLDS OVER THE EDGE OF THE DOOR  
 BE SURE THE FOLD IS EXACTLY ON THE LINE

**\*IMPORTANT**  
 Drill the four 1/4" (6 mm) dia. holes before all other holes.



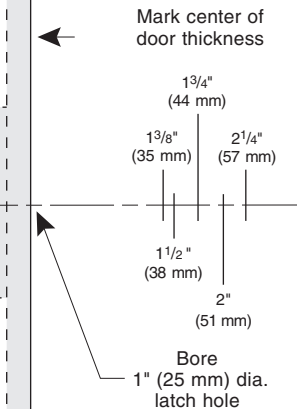
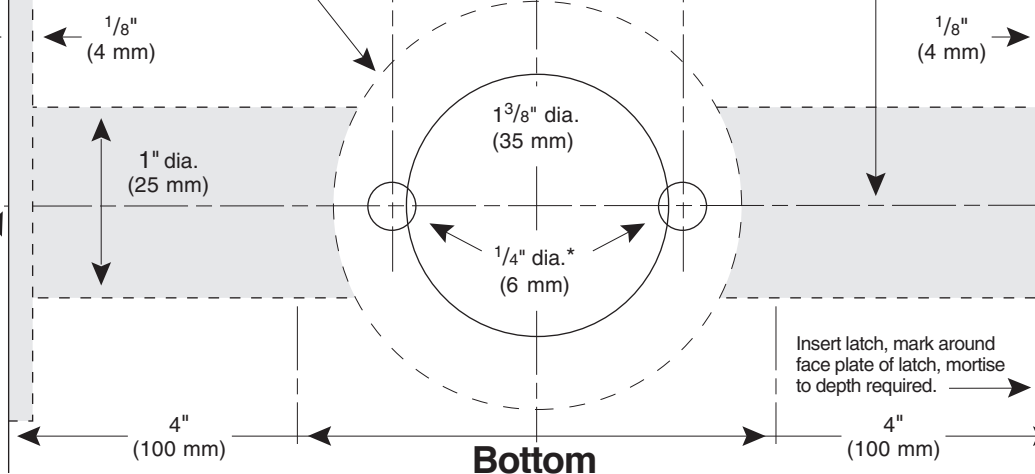
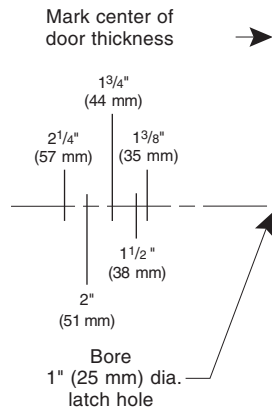
**CAUTION: Mark accurately, bore precision**



THIS FLAP FOLDS OVER THE EDGE OF THE DOOR  
 BE SURE THE FOLD IS EXACTLY ON THE LINE

**7104 TEMPLATE**  
**2 3/4" (70 mm)**  
**LEFT HAND DOOR BACKSET**

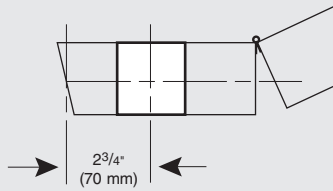
For door with existing 2 1/8" (54 mm) dia. hole align template with this circle.



**Bottom**

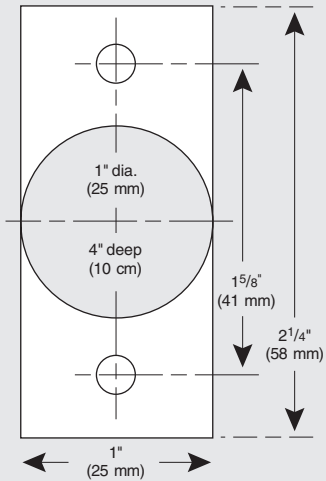
### CAUTION

Apply template and drill from the outside but compensate for door bevel if any



**NOTE:** Lock will accommodate doors 1 3/8" (35 mm) to 2 1/4" (57 mm) thick. Suitable reinforcement shall be provided by the hollow metal door manufacturer to prevent collapsing of door. When door silencers are to be installed, proper allowances must be made for strike location.

### Latch cutout



## 7104 TEMPLATE BACKSET RIGHT HAND DOOR

2 3/8" (60 mm)

BACKSET RIGHT HAND DOOR

## 7104 TEMPLATE LEFT HAND DOOR BACKSET

2 3/8" (60 mm)

