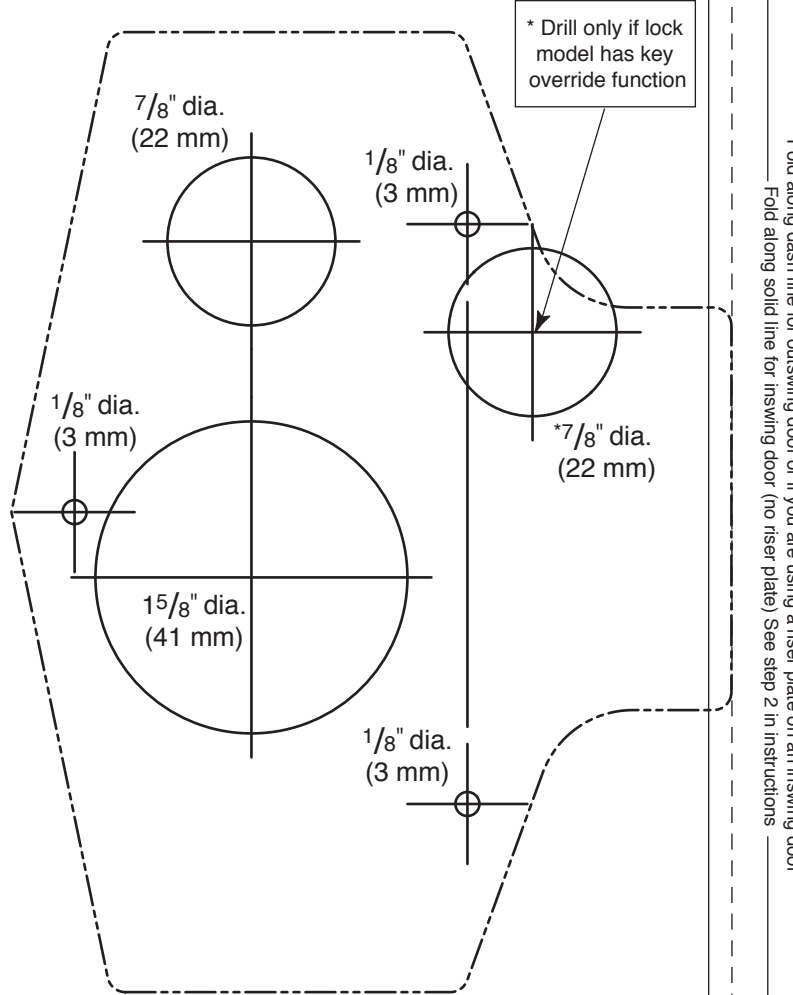


Door handing should be determined before door prep is started to avoid incorrect door preparation.

TOP FOR RIGHT HAND DOORS

Attach to inside surface of shut door



* Drill only if lock model has key override function

Fold along dash line for outswinging door or if you are using a riser plate on an inswinging door
Fold along solid line for inswinging door (no riser plate) See step 2 in instructions

Attach to inside surface of shut door

TOP FOR LEFT HAND DOORS

Door handing should be determined before door prep is started to avoid incorrect door preparation.



**REFERENCE ONLY, NOT TO SCALE
DO NOT USE AS A DRILLING TEMPLATE
CALL 800-849-8324**

SERIES 900 TEMPLATE

PKG2348E 0307