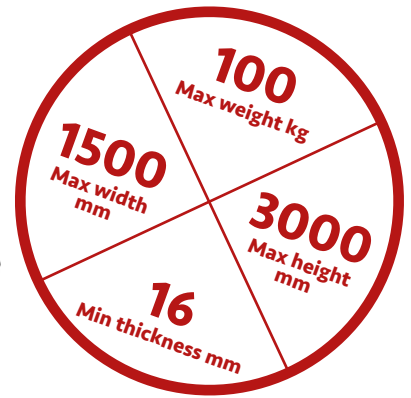


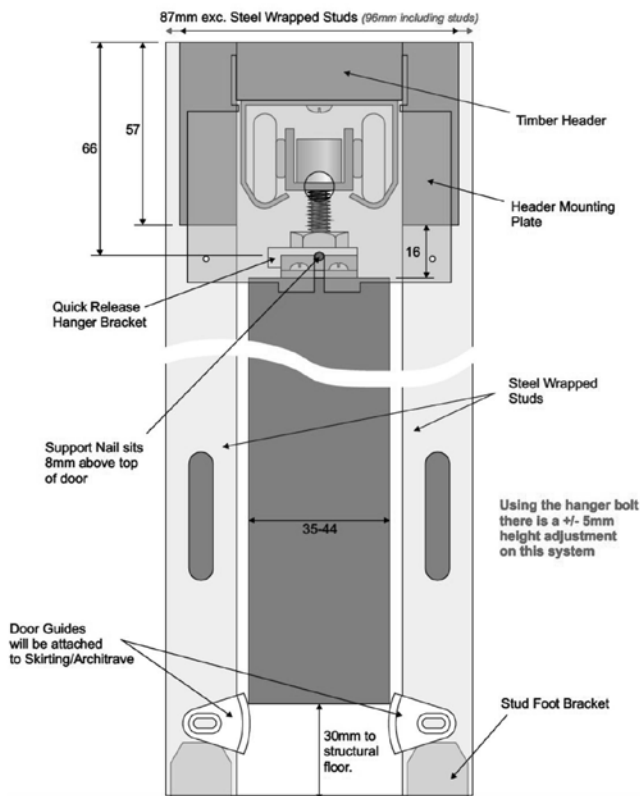
Pocket Door Kits

Our standard Pocket Door Kit remains one of the most popular sellers in our range. With these completely adjustable kits you can accommodate any size door between 608mm (24") and 914mm (36") wide upto 2032 (80") high with the PD1 kit and upto 1220mm (48") wide and upto 2400mm (96") high using the PD2 kit. Simple to install into a 4" Stud sized wall so that, when finished and plastered the finished wall size would be 125mm. Softclose is available as an option along with our Touch Latch. Can also be used for frameless glass doors when bought in conjunction with our Glass Door Conversion Kit.

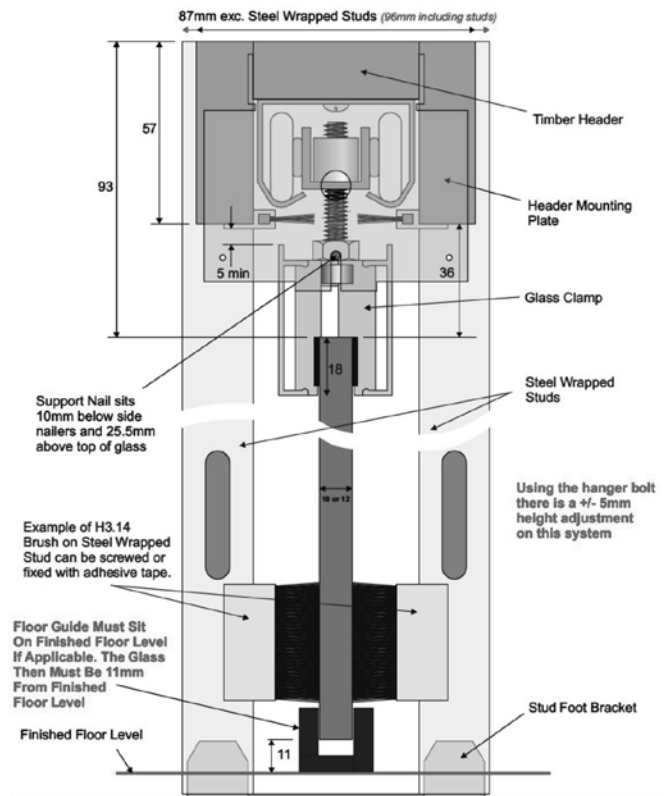


Internal External Softclose Soffit Fix Side Fix Low Headroom Synchro

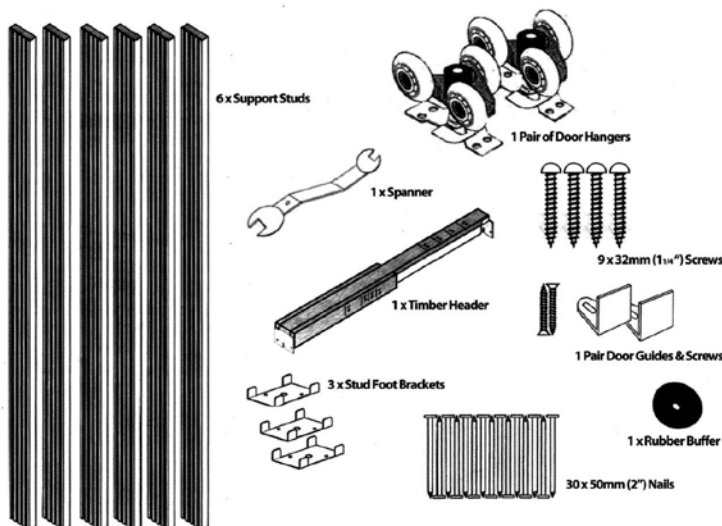
Timber Door Details



Glass Door Details



Standard Kit Components



Optional Kit Components (Timber Only)

