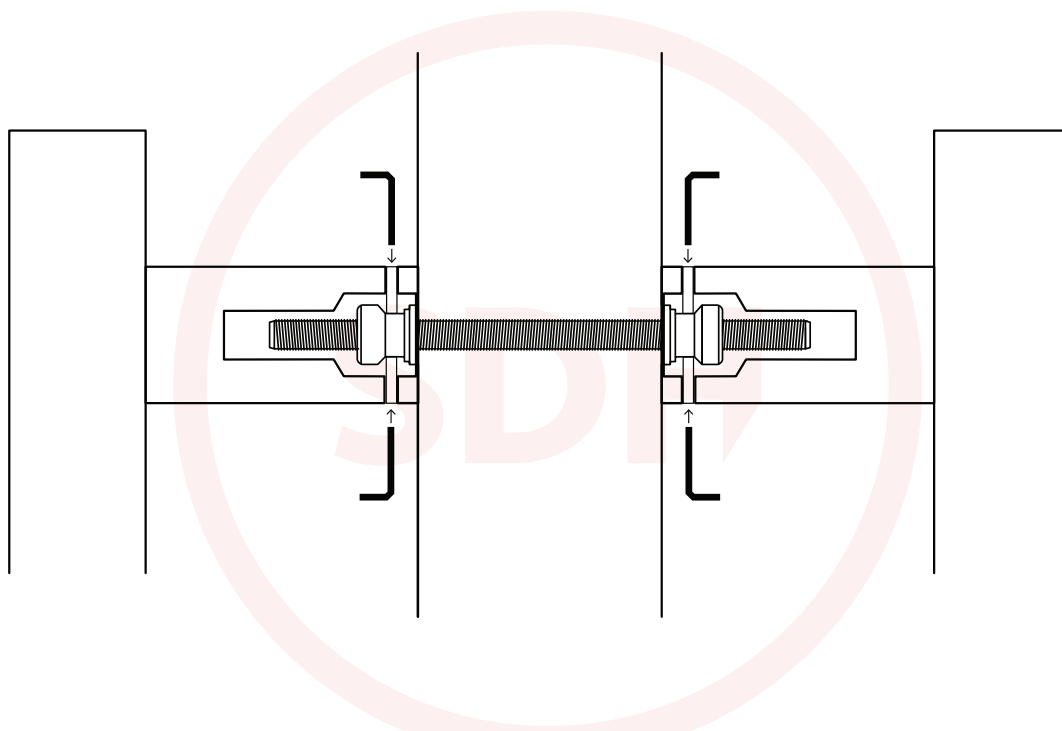
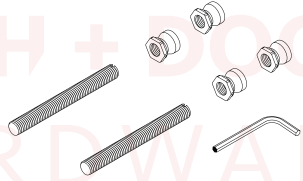
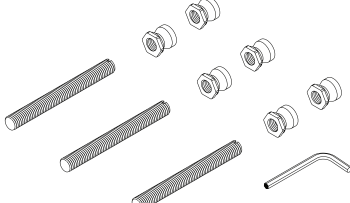


# SOX Pull Handle - Back to Back Fixing

If you order two handles of matching size and style then they can be fitted 'back to back'.  
A back to back fixing kit must also be ordered to achieve this. These kits include 120mm bolts.  
Kit required for sizes 400mm to 1200mm: SOX-2SI-KIT  
Kit required for sizes 1200mm to 1800mm: SOX-3SI-KIT

## BACK TO BACK FIXING



Pull Handle Size (mm)	Fixing Kit Required for Back to Back	Kit code
400, 600, 800, 1000, 1200	 Bolt length: 120mm	<b>SOX-2BB-KIT</b>
1400, 1600, 1800	 Bolt length: 120mm	<b>SOX-3BB-KIT</b>