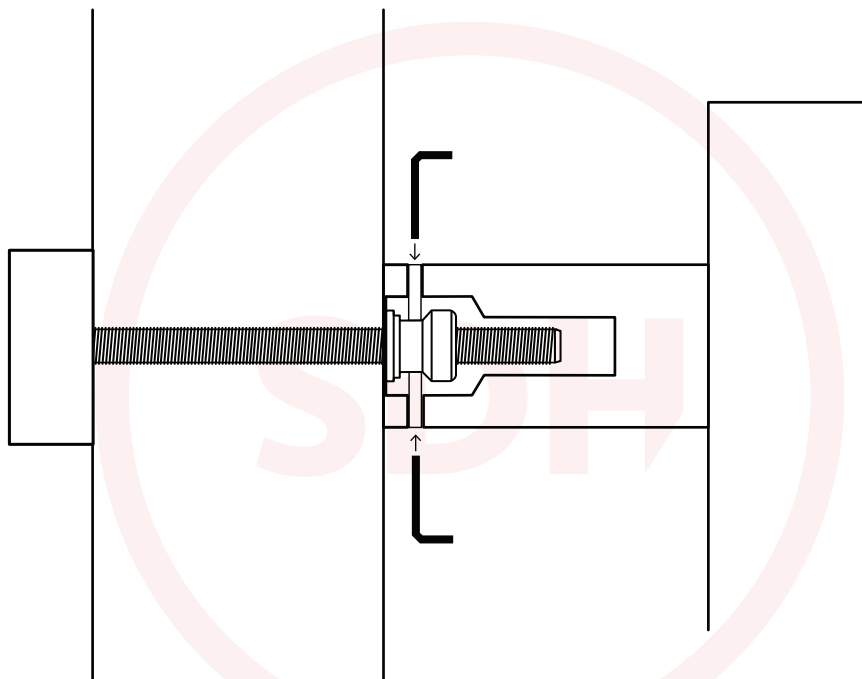


SOX Pull Handle - Bolt Fixing

The single Sox Pull Handles come with bolt fixings as standard.
Includes a 70mm bolt to cater for a maximum door thickness of 50mm.

BOLT THROUGH FIXING



Pull Handle Size	Fixings Included
400mm, 600mm, 800mm, 1000mm, 1200mm	
1400mm, 1600mm, 1800mm	