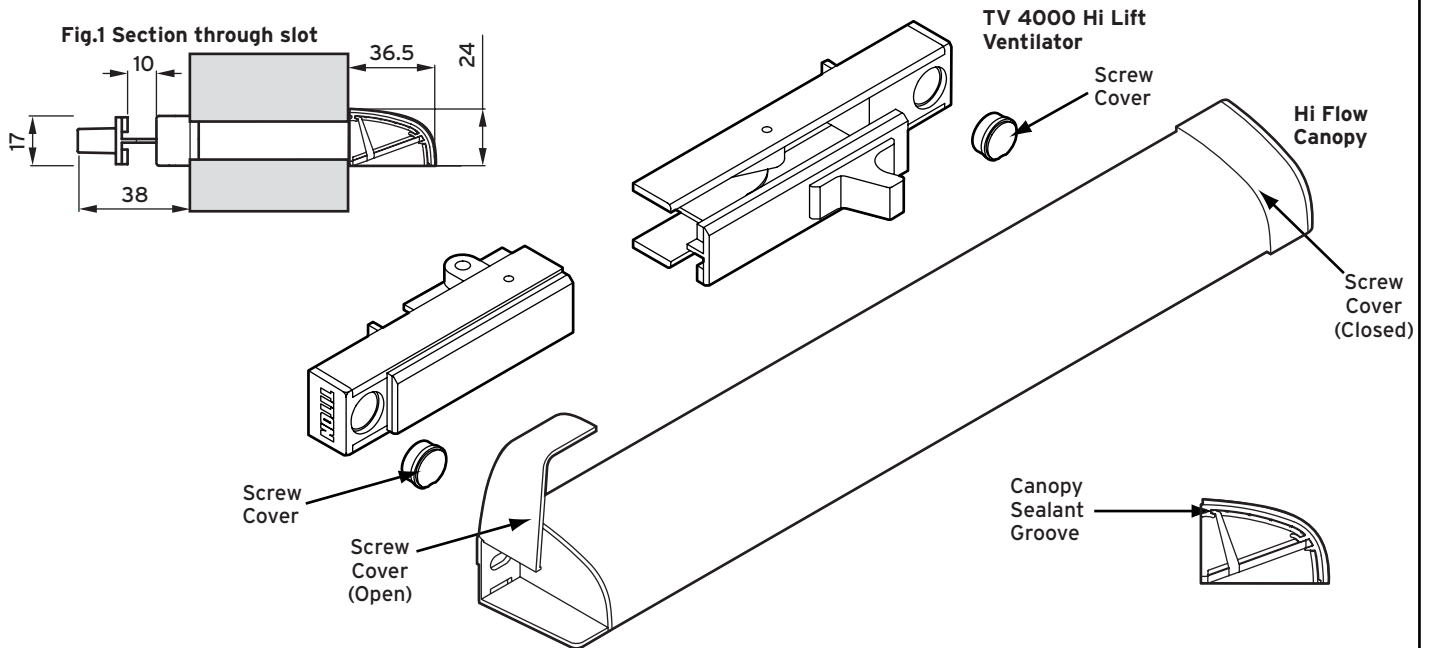


**Diagram**



**N.B. Any significant variation of the applications shown will affect the EA performance of the product combination.**

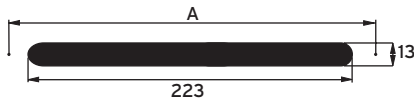
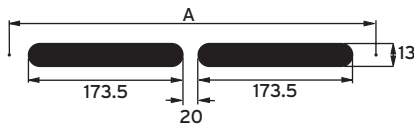
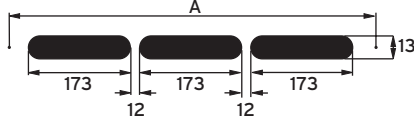
1. Prepare slots (see table below for dimensions) and pre-drill fixing holes, avoiding glazing rebates.
2. Fix vent using screws and attach screw covers.
3. To fix canopy open Screw Covers on end caps by unclipping flap and hinging outwards.
4. Screw to section, snap close screw covers.

**DO NOT OVER TIGHTEN SCREWS!**

Recommended screws:

Vent & Canopy: 3.5mm (No.6) Pan head or equivalent.

We recommend use of silicone sealant along the canopy sealant groove.

TV4000 Hi Lift Range	Equivalent Area (EA) mm <sup>2</sup>	Free Area mm <sup>2</sup>	Length	Width	Projection closed / open	Fixing Centres (A)	Slot Detail & Dimensions
TV 4000HL 2200EA 255 Vent	2200	2169	255	17	28 / 38	242	
HF 263 Canopy		3807	263	24	36.5	244	
TV 4000HL 4000EA 400 Vent	4000	3989	400	17	28 / 38	387	
HF 441 Canopy		6780	441	24	36.5	422	
TV 4000HL 6000EA 575 Vent	6000	5925	575	17	28 / 38	562	
HF 582 Canopy		9151	582	24	36.5	563	