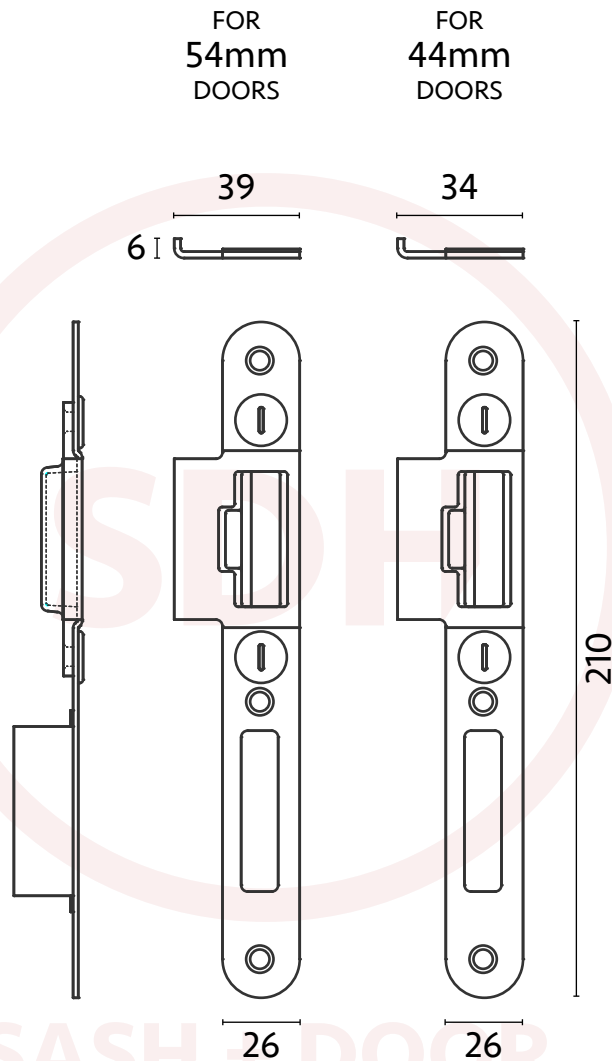
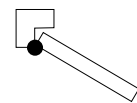


# Technical Details

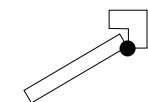
## GU Secury Centre Latch Strike NEW



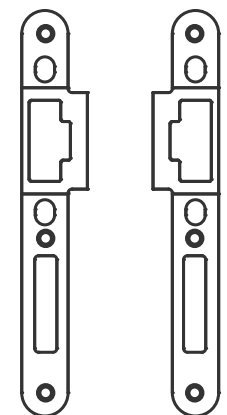
**LEFT-HAND SYSTEM**



**RIGHT-HAND SYSTEM**



SASH + DOOR  
HARDWARE



LEFT HAND

RIGHT HAND

