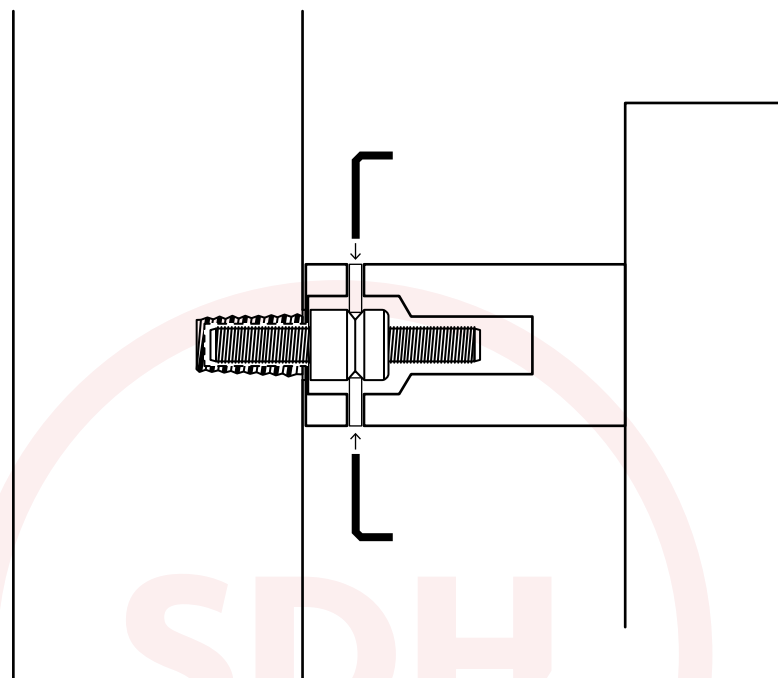


# FITTING INSTRUCTIONS

## SINGLE FIXING



## BACK TO BACK FIXINGS

