

ERA Horizon Egress Easy Clean Friction Hinges

Ordering Details

Side Hung	Part No.	
Size	13mm	17mm
12" 336mm	WFHZFEC1213SA	WFHZFEC1217SA
16" 424mm	WFHZFEC1613S	WFHZFEC1617S

Dimensions

Size (mm)	Nom Inch	Stack Height	Dim A	Dim B	Dim C	Dim D
336	12	13mm	335.5	51.9	88.4	283.4
336	12	17mm	335.5	49.5	86.0	183.0
424	16	13mm	424.3	47.5	147.5	236.0
424	16	17mm	424.3	47.5	147.5	236.0

Weights and Sash Sizes

Size (mm)	Nom Inch	Approx. Opening Angle	Max Width (mm)	Max Height (mm)	Max Sash Weight (kg)
336	12" Side	90°	600mm	1200mm	22kg
424	16" Side	90°	700mm	1300mm	24kg

To Comply with BS 5588

Egress Opening	Minimum Sash	450mm
Egress 12"	Minimum Sash (to comply)	572mm
Egress 16"	Minimum Sash (to comply)	559mm

Technical Information

Corrosion resistance
Meets the requirements of BS EN 1670:2007 Grade 4 (240 hours)

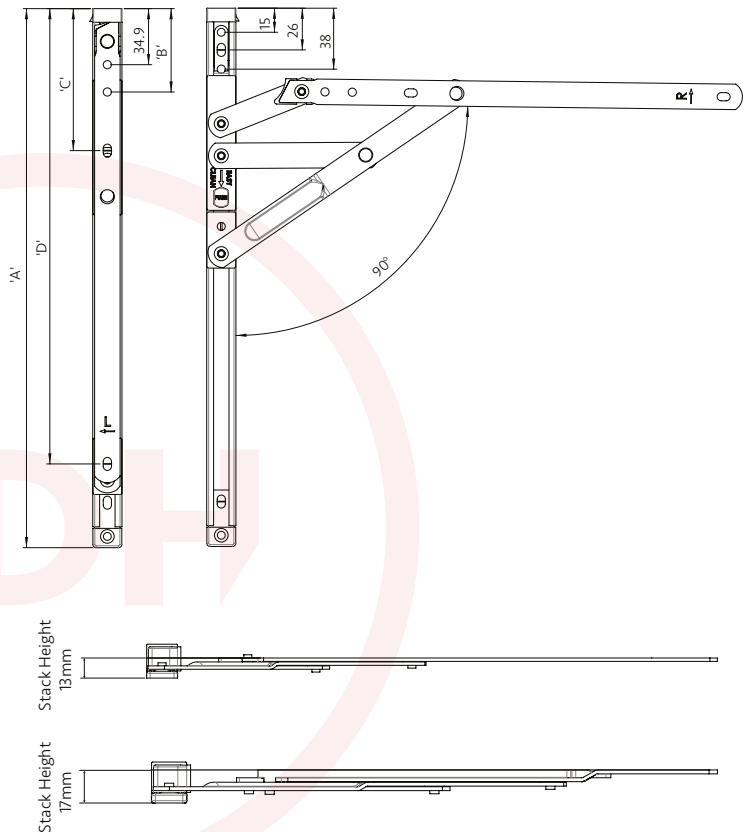
Performance
Meets the requirements of BS EN 6375-1:2004. Tested to 20,000 cycles

Safety
Designed to meet the requirements of BS EN 8213-1:2004 and Building Regulation Approved Document B: 2006 edition***

Material Specification

Bars, Arms and Rivets:	Stainless Steel BS EN 10088-2:2005 Ferritic - 1.4016 (S430 S17)
Locking Pin:	Stainless Steel BS EN 10088-2:2005 1.4305 (S303 S15)
Springs:	Stainless Steel BS EN 10088-2:2005 1.4305 (S304 S15)
Mouldings:	Glass filled Nylon
Hinge support pins:	Brass BS EN 12164:1998 CW614N

***Document B - An unobstructed opening of not less than 0.33m² and at least 450mm wide or 450mm high and no more than 1.1m from the ground. (The route through the window may be at an angle rather than straight through). Reflex hinges are only suitable for side hung applications



All dimensions are in mm.
ERA reserves the right to change specification without notice.
It is the responsibility of the window manufacturer to ensure that the finished product meets any required safety and performance specification

Maintenance

The pivot point should be lightly lubricated twice a year and the surface cleaned with a soft cloth to remove any dust or grime. The product should be periodically adjusted and the fixings tightened to ensure a satisfactory operation.

Packaging

Size	Box Quantity	Box Weight
12" 328mm	25	12kg
16" 431mm	25	16kg