

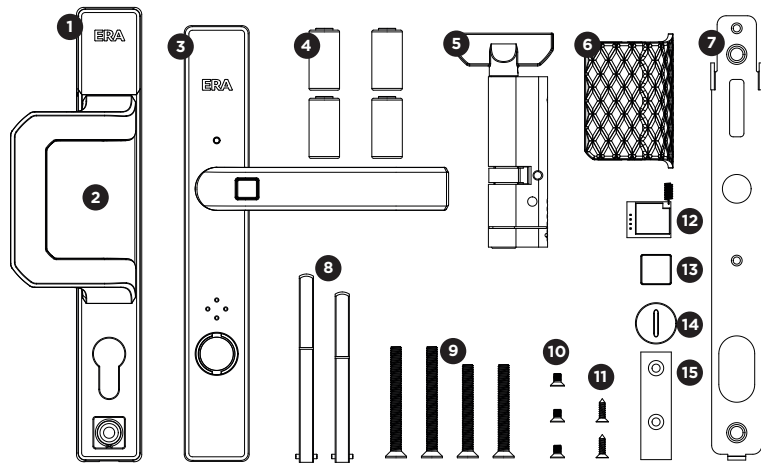
ERA TOUCHKEY

Smarter Handle

ERA

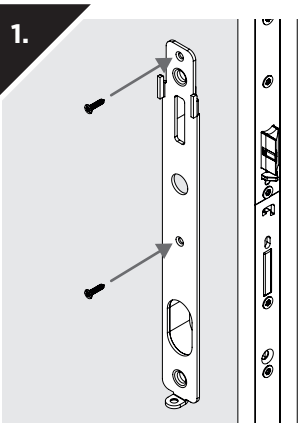
TECH HELPLINE
0345 646 1487

WHAT'S IN THE BOX



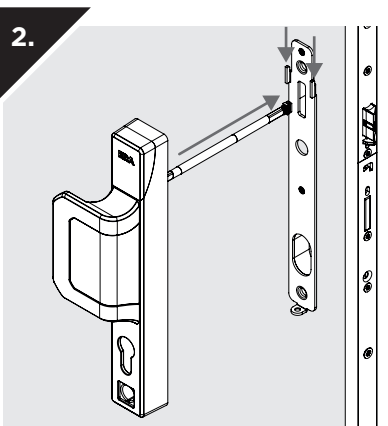
- | | | | |
|------------------------|----------------------------------|--|-----------------------|
| 1 INTERNAL HANDLE | 6 CYLINDER (SUPPLIED SEPARATELY) | 9 M6 BOLTS (2 X 52MM AND 2 X 62MM) | 13 SCREW COVER CAP |
| 2 BATTERY COVER | 7 OPT. QUILTED BATTERY COVER | 10 3 X M4 7MM SCREWS | 14 CYLINDER COVER CAP |
| 3 EXTERNAL HANDLE | 8 MOUNTING PLATE | 11 MOUNTING PLATE FIXING SCREWS | 15 SPINDLE PLATE |
| 4 4 X CR123A BATTERIES | 9 2 X SPINDLES | 12 TOUCHKEY COMMUNICATION MODULE (COMING SOON) | |

FOR THE
INSTALLER



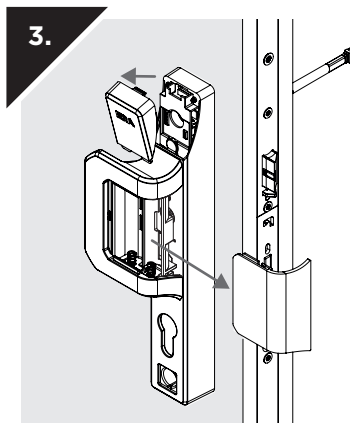
Fit the handle mounting bracket (remove from the handle box and locate the relevant screws) onto the internal face of the door, using two fixing screws (provided) in the highlighted holes.

Please note: this step may have been completed by the door manufacturer.

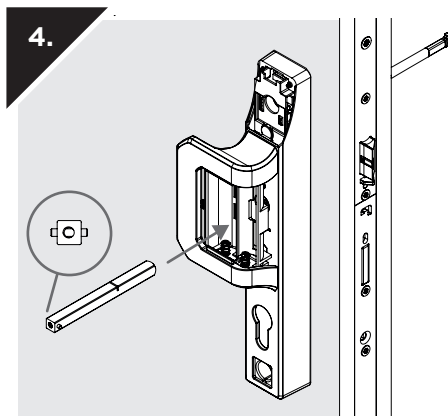


Select the **internal half of the handle** (with the fixed pad) and feed the cable from the handle, through the rectangular slot in the mounting plate.

Once the cable is securely through, slot the handle onto the **mounting bracket** using the 2 legs.

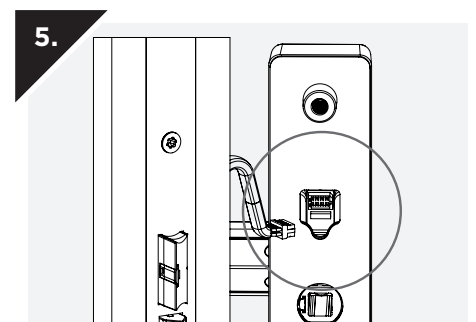


Remove the **battery cover** on the internal handle, with a push in and slide motion. Then, remove the **antenna cap** by pushing gently downwards from the top, and then pulling towards you.

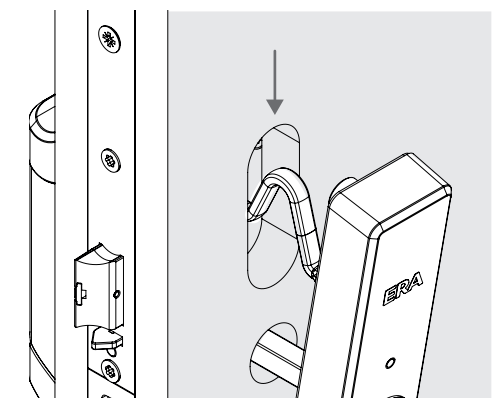


Select the appropriate spindle (included) required for the door size. The 95mm spindle is suitable for 44 - 48mm thick door slabs and the 105mm spindle for 54 - 56mm thick door slabs.

Next, insert the spindle through the exposed **spindle hole** (in the battery compartment) **ensuring that the pin is at the back and that the spindle is fully pushed in.**

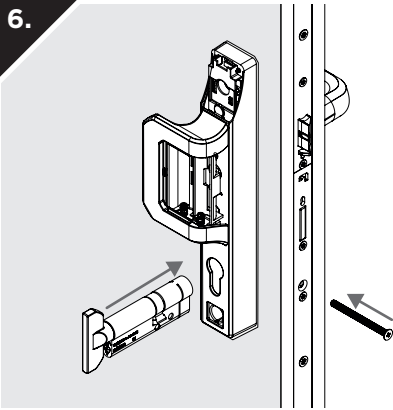


Select the **external half of the handle** (lever) and carefully connect the two handles together using the cable from step 2. **Please take care to avoid bending any pins and ensure that the visible red wires are at the top and the black wires are at the bottom and that the cable is fully pushed into the connector port.**

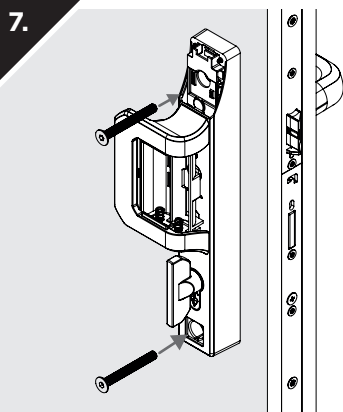


Once the cable is connected, you can then push the **external handle** onto the **spindle** whilst carefully tucking the cable into the pre-routed slot.

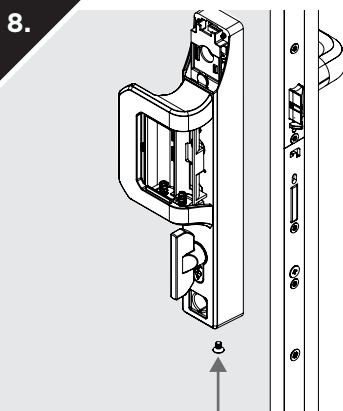
Please note, we recommend tucking the cable as shown in the image.



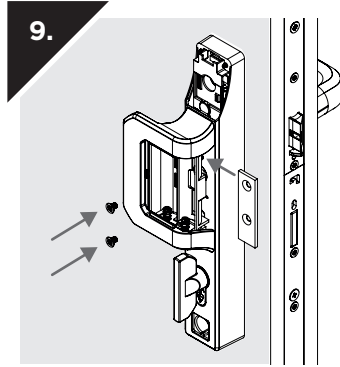
Insert the **cylinder** through the handle (thumbturn on the internal side of the door) and lock it in place with the cylinder screw provided. Check lock operation.



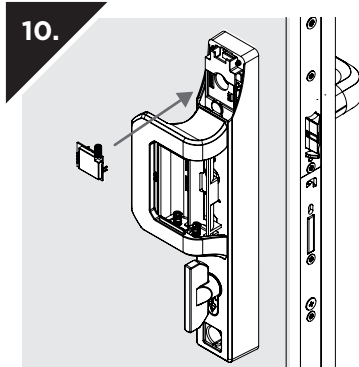
Select the appropriate **M6 bolts** required for the door size. The 52mm M6 bolts are suitable for 44 - 48 thick door slabs and the 62mm bolts for 54 - 56mm door slabs. Then, insert the 2 x **M6 bolts** through the handle and fasten securely.



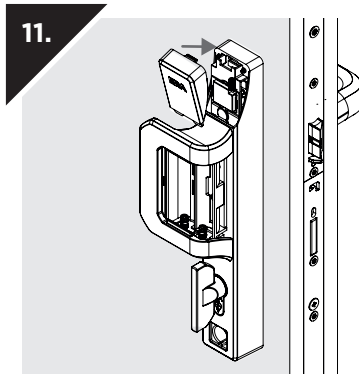
Insert 1 x **M4 screw** in the bottom of the **internal handle** and fasten securely.



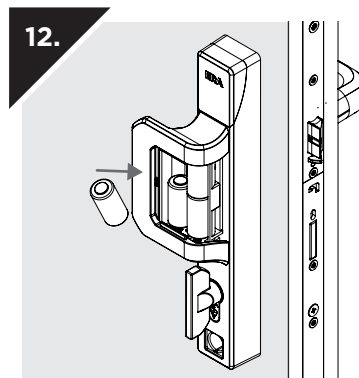
Slide the **spindle plate** between the **battery compartment** and **backplate** and securely fix it with the 2 x **M4 screws** (do not over tighten).



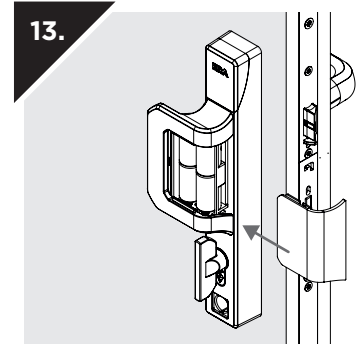
Carefully insert the **TouchKey communication module (available soon)** into the antenna compartment of the internal handle



Replace the **antenna cap** carefully.



Insert 4 x **CR123A batteries** (supplied) into the battery compartment, please ensure these are placed in the correct orientation.

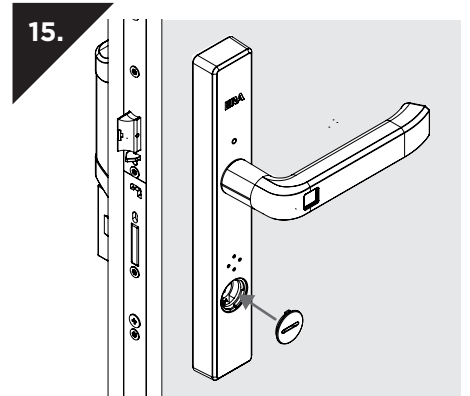


Carefully, slide the **battery cover** on.

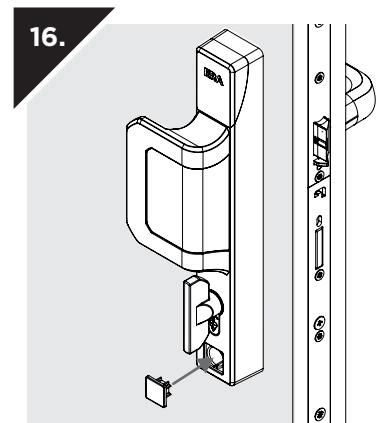


IMPORTANT:
The door automatically locks on closing. Please ensure you **do not close the door** unless you have a key. Or keyless access has been set up correctly.

An additional user guide is provided within the box, that should be **left with the homeowner** once the handle is set up and installed. This details how to download the ERA Smart Home app and how to set up the handle.



We recommend that only once the app and handle set-up is complete that the **cylinder cap** is fitted. Push into the external handle and rotate 90° clockwise to secure it in place.



Finally, insert the **screw cover cap** into the bottom fixing hole on the internal handle. **Door will automatically lock on closing.**