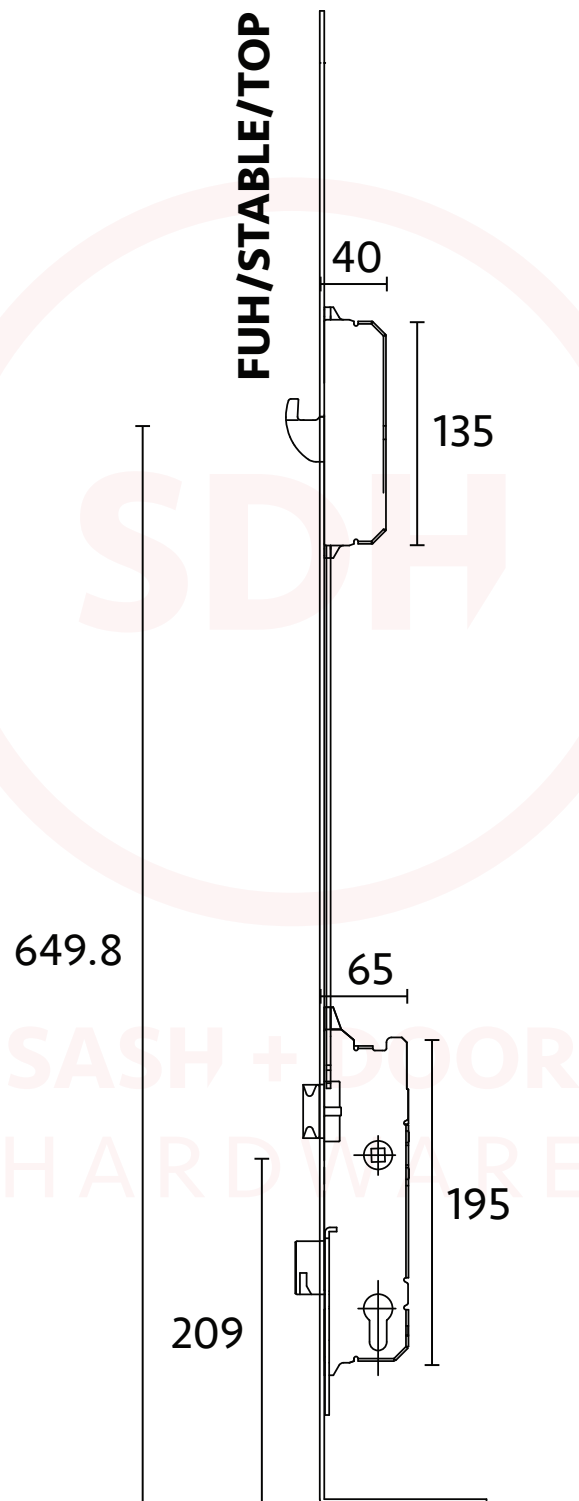


FUH-STABLE-TOP Fuhr Stable Door Top Door Bolt

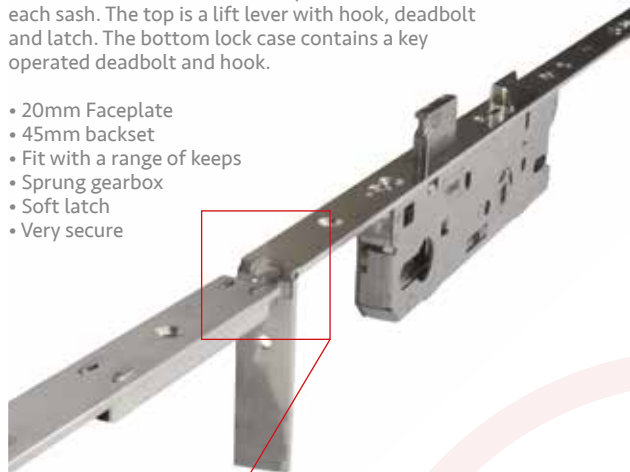


Technical Details

Stable Door Bolt

This Fuhr Stable Door Lock comprises of 2 locks, one for each sash. The top is a lift lever with hook, deadbolt and latch. The bottom lock case contains a key operated deadbolt and hook.

- 20mm Faceplate
- 45mm backset
- Fit with a range of keeps
- Sprung gearbox
- Soft latch
- Very secure



INTERLOCK PIN DETAIL



HOOK DETAIL



FUH/HOOK/TOP
FUH/HOOK/BASE



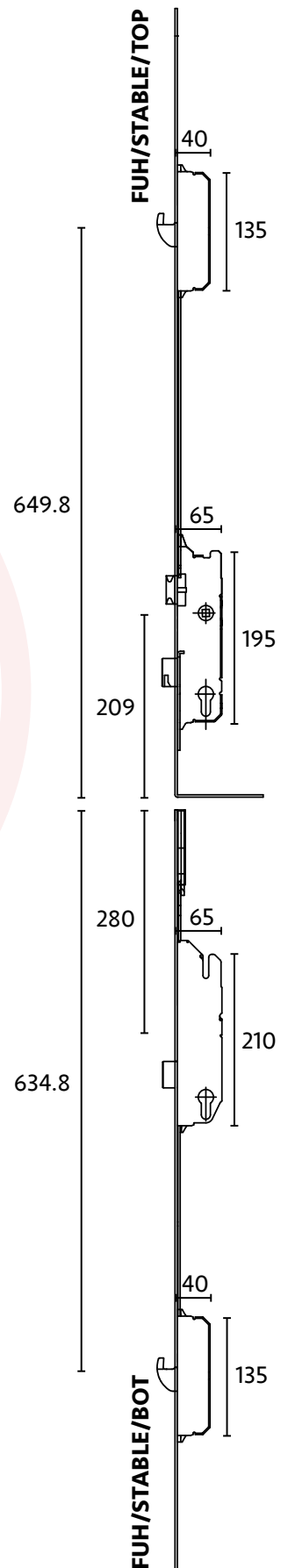
FUH/LATCH/58/56 or 44
FUH/DEAD
FUH/BASE



FUH/HOOK/TOP
FUH/HOOK/BASE



FUH/HOOK/TOP
FUH/HOOK/BASE



LOCK COMPONENTS

CODE	DESCRIPTION
FUH/STABLE/TOP	Stable Door Top Lock
FUH/STABLE/BOT	Stable Door Bottom Lock



Images for Illustration for Purposes Only

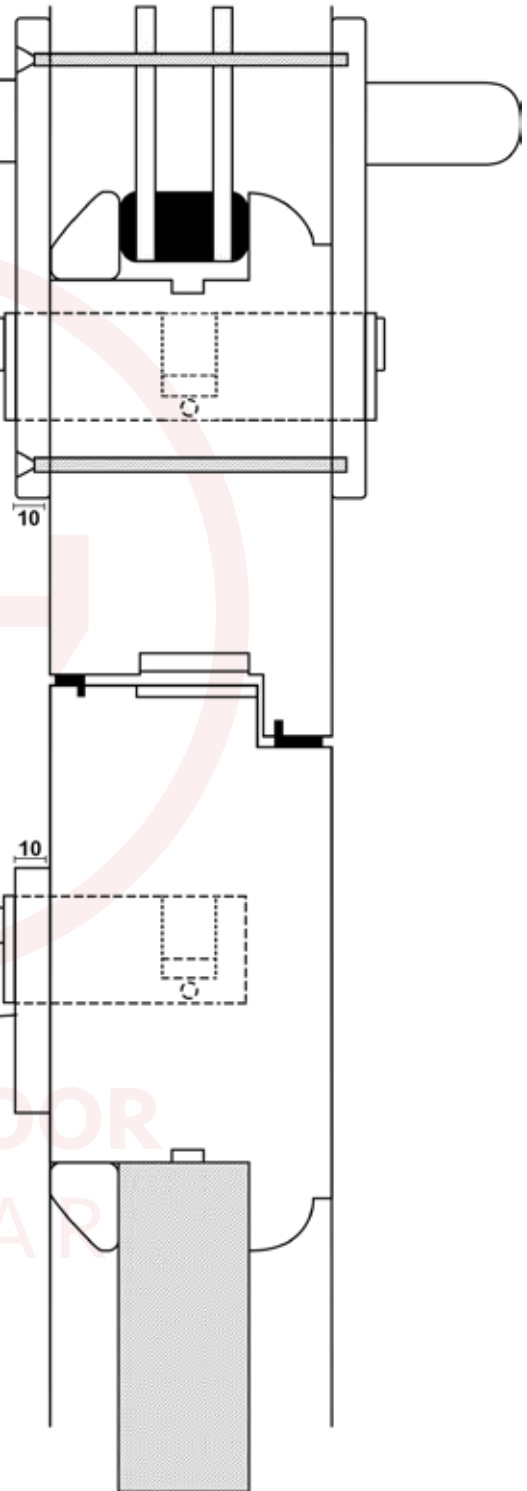


Handle

DC 40 - 40
Cylinder

DC 40 - 10 Thumb
Cylinder

Escutcheon



10 YEAR MECHANICAL
GUARANTEE

