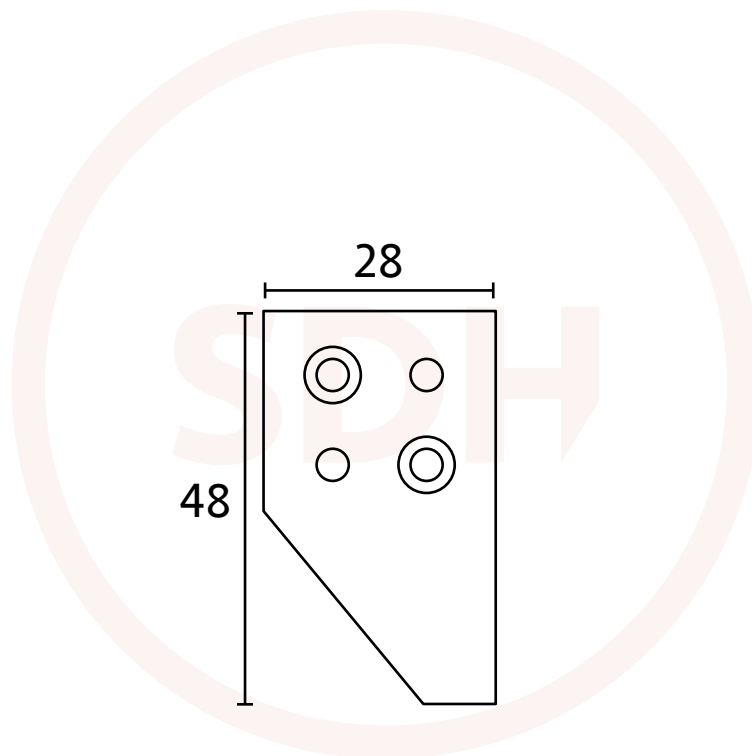


Sash Heritage Spare Striker Plate for Sash stops - 48mm x 28mm



SASH + DOOR
HARDWARE