

**N.B. Any significant variation of the applications shown will affect the EA performance of the product combination.**

### Instructions

1. Prepare slots and pre-drill fixing holes, avoiding glazing rebates.
2. Fix vent (with snib on the **right**) and canopy using screws and attach screw covers.

**DO NOT OVER TIGHTEN SCREWS!**

Recommended screws:

Vent & Canopy: 3.5mm (No.6) Pan head or equivalent.

We recommend use of silicone sealant along the canopy sealant groove.

If vent supplied with protective cover tape, do not remove tape until authorised.

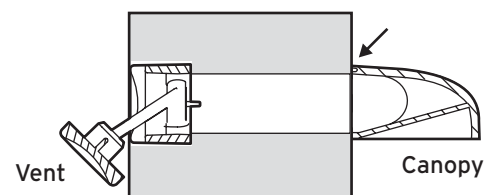
### Other Details

Dimensions	XR16	XC16
Overall Length	351	364
Equivalent Area (EA) - Screw Fix**	4600mm <sup>2</sup>	
Free Area (Screw Fix)	4523mm <sup>2</sup>	4990mm <sup>2</sup>

\*\* Tested in accordance with BS:EN 13141-1 (2004).

### Silicone Sealant Application

For improved weathering apply silicone here



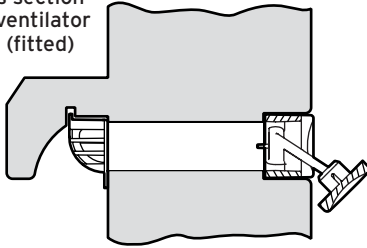
\* All dimensions in mm unless otherwise stated.

### MARKETING DIVISION

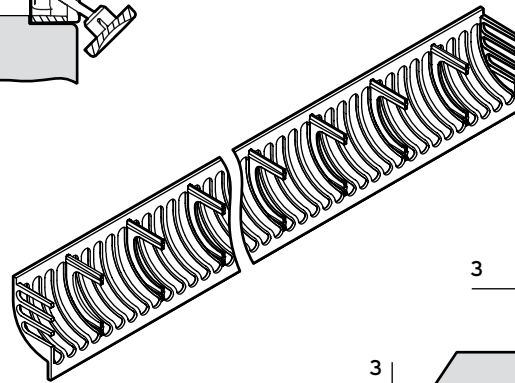
International House, Peartree Road, Stanway, Colchester, Essex CO3 0JL

Tel: +44 (0) 1206 713800 Fax: +44 (0) 1206 543126 Web: www.titon.com

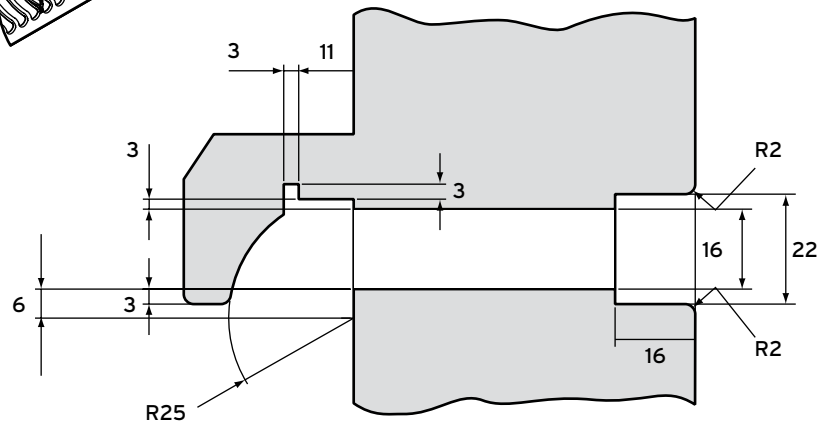
Slot cross section showing ventilator and grille (fitted)



TVSXHD16 Grille



Slot Cross Section showing slot and head drip preparation



**N.B. Any significant variation of the applications shown will affect the EA performance of the product combination.**

**Instructions**

This product is designed to be used with the Trimvent Select Xtra R16 Ventilator.

See reverse for Ventilator fixing instructions.

1. Position grille centrally over slots and locate grille upstand in groove on underside of head drip.
2. Secure grille to frame using pins or staples of appropriate material.

Grille is moulded in polypropylene; care should be taken to ensure that timber finishes or processes do not affect the integrity of grille.

To maintain Equivalent Area when tested with TV Select XR16 slot and underside of head drip should be manufactured in accordance with dimensions supplied by Titon.

If vent supplied with protective cover tape, do not remove tape until authorised.

**Other Details**

Dimensions	XR16	XHD16
Overall Length	351	358
Equivalent Area (EA) - Screw Fix**	4600mm <sup>2</sup>	
Free Area (Screw Fix)	4523mm <sup>2</sup>	5345mm <sup>2</sup>

\*\* Tested in accordance with BS:EN 13141-1 (2004).

\* All dimensions in mm unless otherwise stated.

**MARKETING DIVISION**

International House, Peartree Road, Stanway, Colchester, Essex CO3 0JL  
 Tel: +44 (0) 1206 713800 Fax: +44 (0) 1206 543126 Web: www.titon.com