

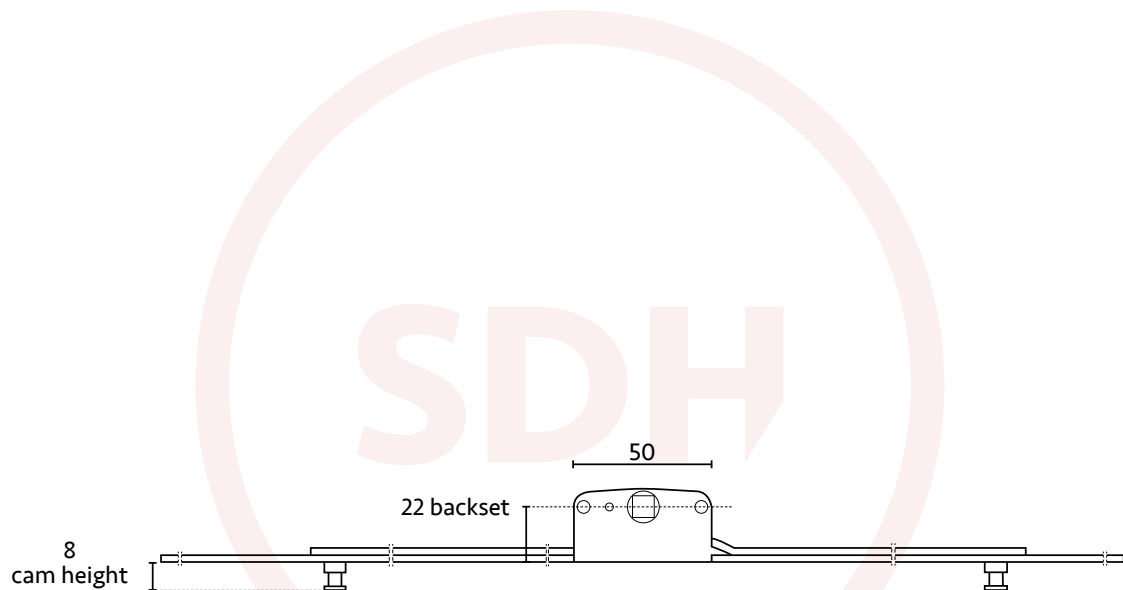
## Technical Details

---

### Vanguard Standard

European engineered security locking espag bolt with adjustable security cams and high quality gearbox.

- 8mm adjustable mushroom cams
- Corrosion resistant exceeding *Grade 5 BSN1670*
- 22mm backset
- Timber night vent keep with 2 quick fit locating pins
- 2 keeps required on 240, 400, 600 & 800mm espags
- 3 keeps required on 1000 & 1200mm espags
- Standard 16mm eurogroove



SASH + DOOR  
HARDWARE