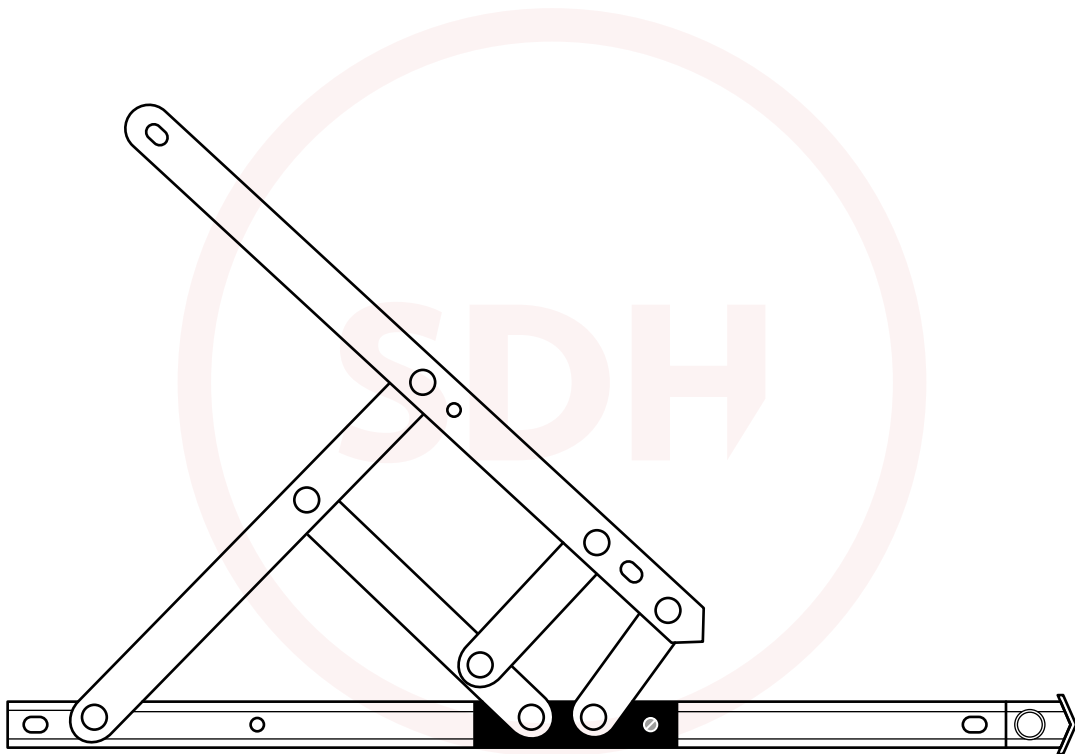


Yale Friction Hinge

- Made from ferritic stainless steel
- 13mm stack heights
- Compatible with PVCu, timber and aluminium windows
- Endurance tested to 20,000 cycles
- Corrosion tested to 96 hours NSS
- Tested to BS 6375 Parts 1 & 2 for window performance:
BS 6375-1:2015 classification for weather-tightness and guidance on selection and specification
- Tested to BS EN 1670
- Grade 3 corrosion resistance



SASH + DOOR HARDWARE

	Top Hung				Side Hung	Universal	
	YALFH10TH	YALFH16TH	YALFH20TH	YALFH24TH	YALFH16SH	YALFH8T/SH	YALFH12T/SH
Size	10"	16"	20"	24"	16"	8"	12"
Max vent weight	16kg	21kg	24kg	35kg	24kg	12kg	22kg
Max vent height	400mm	700mm	780mm	1000mm	1200mm	350mm (IF TOP HUNG)	550mm (IF TOP HUNG)
Max vent width	-	-	-	-	-	400mm (IF SIDE HUNG)	600mm (IF SIDE HUNG)