

Trimvent® 4000 Hi Lift

High performance aluminium slot ventilator



Trimvent® 4000 Hi Lift Ventilator

Suitable for:

PVCu



ALUMINIUM



TIMBER



Trimvent 4000 Hi Lift is an aluminium slot ventilator that fits over a 13mm slot in a window and provides an Equivalent Area (EA) of up to 6000mm² when fitted with the Hi Flow canopy. The TV4000 Hi Lift is ideal for both new build or refurbished situations using any window material and is available in a variety of colours.

The Hi Lift design improves the Trimvent range to offer increased ventilation. It gives optimum airflow (and therefore EA) utilising existing Trimvent slot sizes and vent lengths, making them 60% more efficient than previous models.

It has been specifically developed for recent revisions to Part F of the Building Regulations for Ventilation (England & Wales), is optimised for use with the Scottish Technical Standards and to improve performance for requirements throughout the UK and Europe.

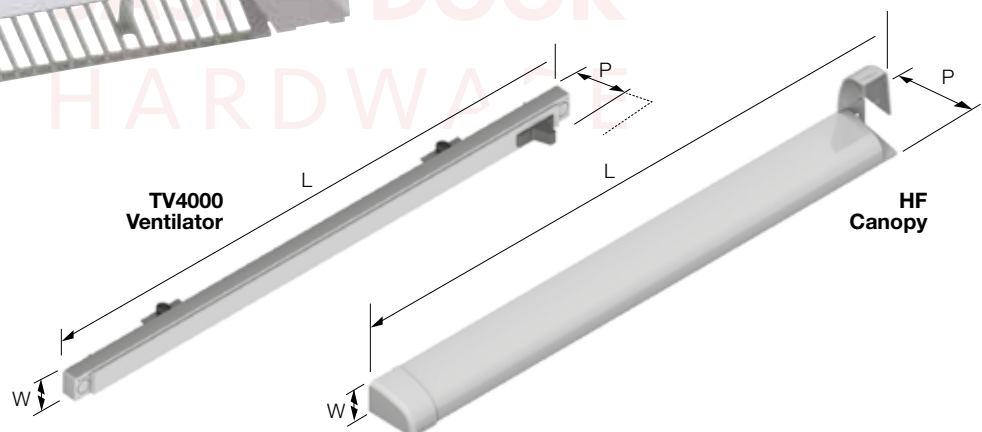
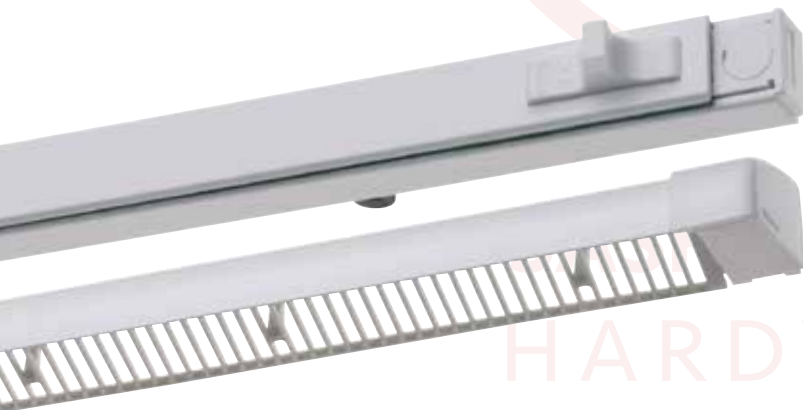
Trimvent 4000 ventilators have been specified and fitted on millions of windows throughout the UK and mainland Europe for 25 years.



Trimvent® 4000 Hi Flow Canopy

Features and Benefits

- Revised design to improve performance and Regulations compliance
- Compression closing action
- For use on 13mm slot
- Based on successful Trimvent® principle
- T-bar deflects air up and down
- Unique linkages ensure constant friction and smooth action
- Vent supplied with screw covers, canopy features integral screw covers
- Special colours available on request
- Felted gasket for increased performance
- When specified correctly complies with Building Regulations



Product	Product Code	(L) Length	(W) Width	(P) Projection Closed-Open	EA (mm ²)	Free Area (mm ²)	Slot Detail / Free Area of Slot (mm ²)	
TV4000 HL 2200EA 255 vent	TA4042	255	17	28 - 38	2200	2169	223 13	
HF 263 canopy	TA6053	263	24	36.5		3790	2862	
TV4000 HL 4000EA 400 vent	TA4041	400	17	28 - 38	4000	3989	173.5 20 173.5 13	
HF 441 canopy	TA6054	441	24	36.5		6763	4438	
TV4000 HL 6000EA 575 vent	TA4044	575	17	28 - 38	6000	5925	173 12 173 12 173 13	
HF 582 canopy	TA6004	582	24	36.5		9118	6657	
Sleeve	Please phone for details						Please phone for details	

EA figures above and marked on vents are achieved when fitted to manufacturer's recommendations.

Tested in accordance with BS:EN 13141-1 (2004).

This product does feature some protrusion into the slot. If the recommended slot size has been cut then the protrusion will not affect fitting or claimed performance.

Manufactured from

Aluminium 6063 HIT T6, component parts POM & PP (UV Stable)

Recommended screws

3.5mm (No.6) Round Head or equivalent

Standards

Tested in accordance with BS EN 13141-1:2004 (airflow, air leakage and weather tightness)

Acoustic performance tested in accordance with BS EN ISO20140-10:1992, BS EN ISO140-10:1991 and single figures to BS EN ISO717-1:1991

Performance

(Full test details available on request)

Equivalent Area – See above

Free Area – See above

Air Leakage (m³/hr @ 50Pa) – 0.99 (4000EA version)

Water Resistance (Pa) – 600

Acoustic D_{n,e,w} (+/-) – vent open 32 (0;1), vent closed 43 (0;-1)

Finishes

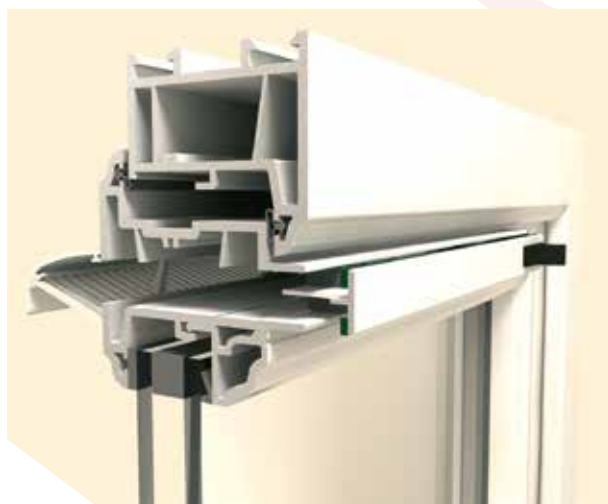
Suffix product code with:

-020 (white), -001 (SAA) (Canopy -026), -023 (brown)

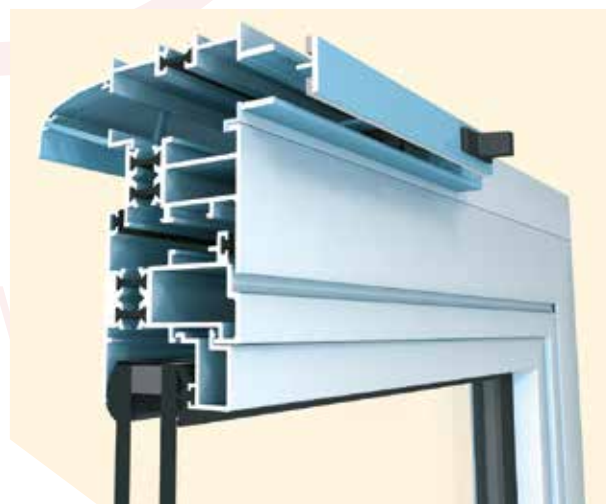
Other colour options available. Please contact sales for details.

More information

enquiries@titon.co.uk / 01206 713801



Through sash



Through add-on section