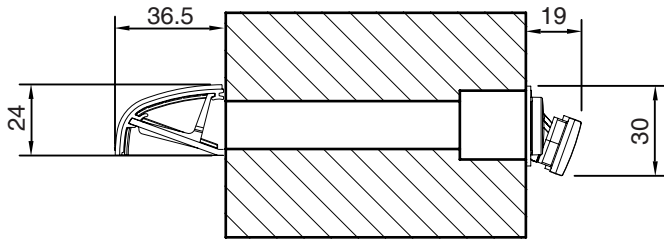
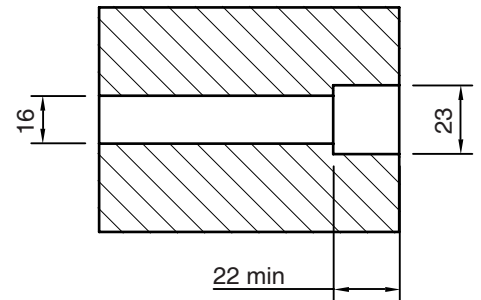


Details

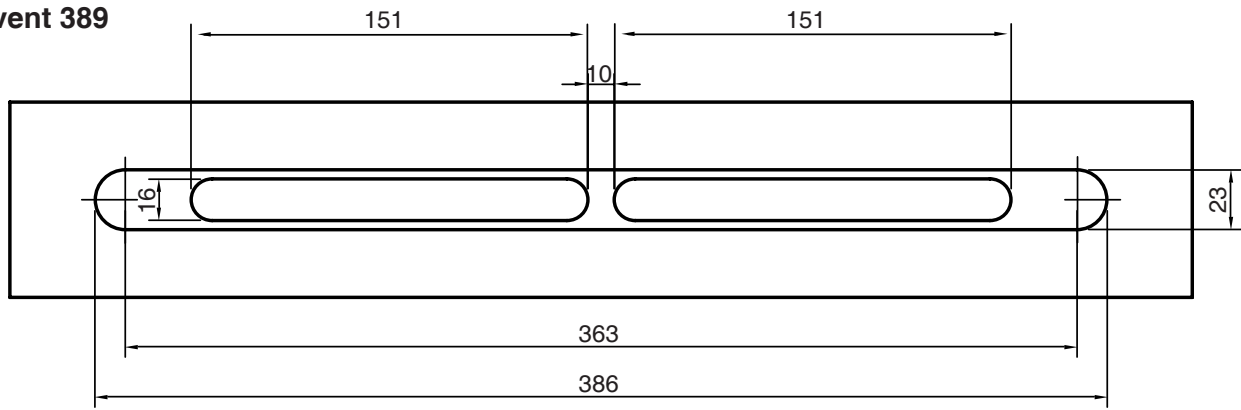
Section through slot



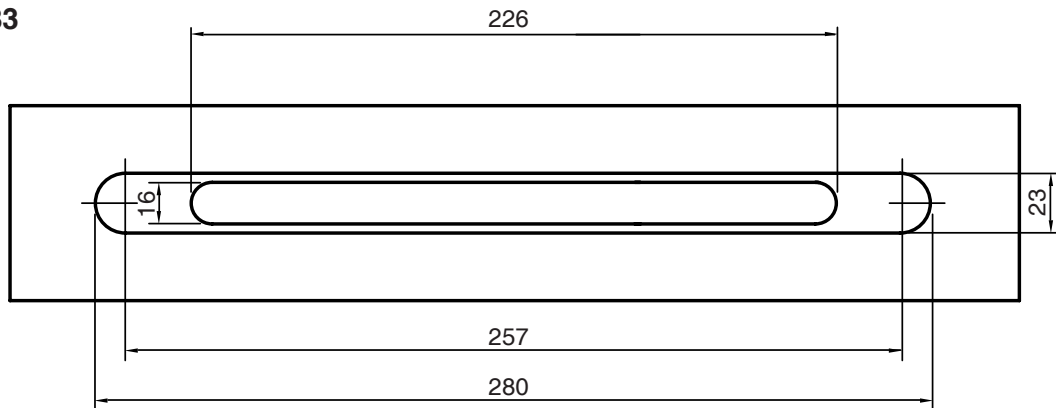
Recess for ventilator



Slot details - Trykvent 389



Slot details - Trykvent 283



Other Details

Dimensions	Trykvent 389	HF 441 Canopy	Trykvent 283	HF 303 Canopy
Overall Length	389	441	283	303
Equivalent Area (EA)	4300mm ²		3000mm ²	
Free Area	4800mm ²	6763mm ²	3616mm ²	4458mm ²

All dimensions in mm unless otherwise stated.

MARKETING DIVISION

894 The Crescent, Colchester Business Park, Colchester, CO4 9YQ, United Kingdom
Tel: +44 (0) 1206 713801 Fax: +44 (0) 1206 543126 Web: www.titon.com

Instructions:

1. Prepare round ended slots accurately. Avoid glazing rebates.
2. Use sealant around the base of the vent for improved performance.
3. Push fix vent into timber window or door profile.
4. To ensure the vent is fitted the right way up, please look for the mark situated on the front at one end of the vent. This marker indicates the top of the vent. ●

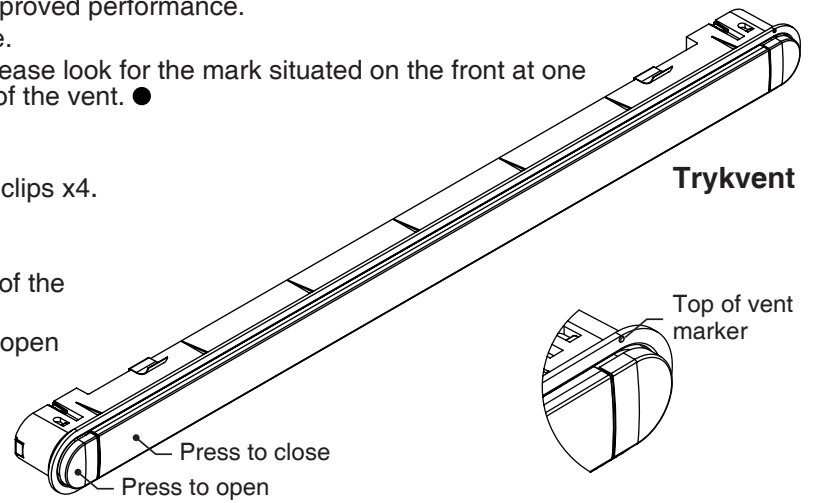
Note:

Vent is push fitted into timber frame with pre-fitted clips x4.

Operation:

Open vent by pressing the buttons at the far ends of the vent until it clicks.

Close vent by pressing the vent at the ends of the open section until it clicks shut.



Maintenance:

1. Wipe Ventilator (and Canopy if accessible) clean with a damp cloth. Frequency will depend on local conditions.
2. Clean away blockages with a soft brush.
3. Do not lubricate.